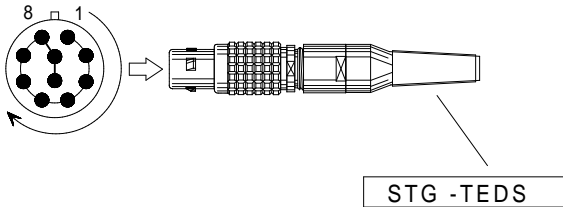


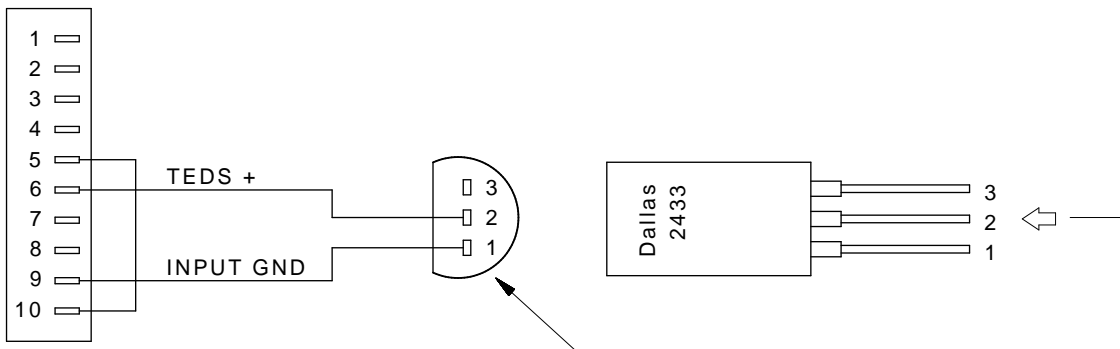
STG 2B 10p. - TEDS

Bestell-Nr. STG-TEDS
Order-N^o

STG-TEDS



LEMO 2B, 10-pol./P



Contact Type / Kontaktart
P = Pin contacts / Stiftkontakte
S = Socket contacts / Buchsenkontakte