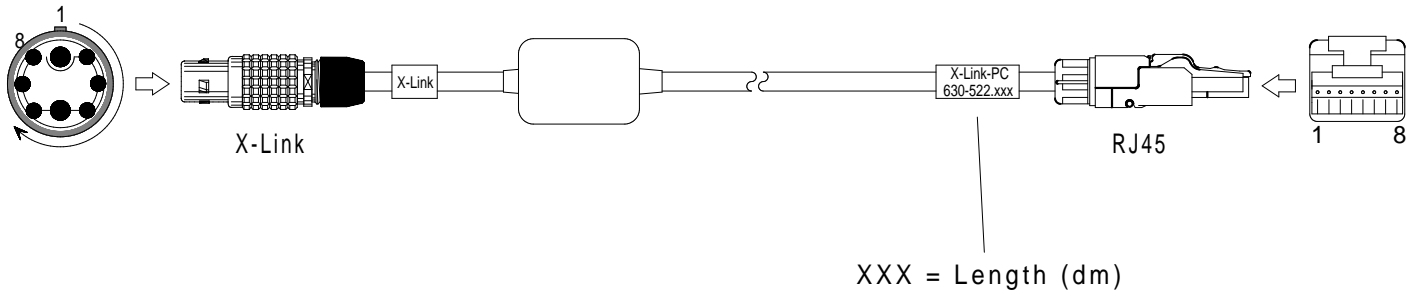


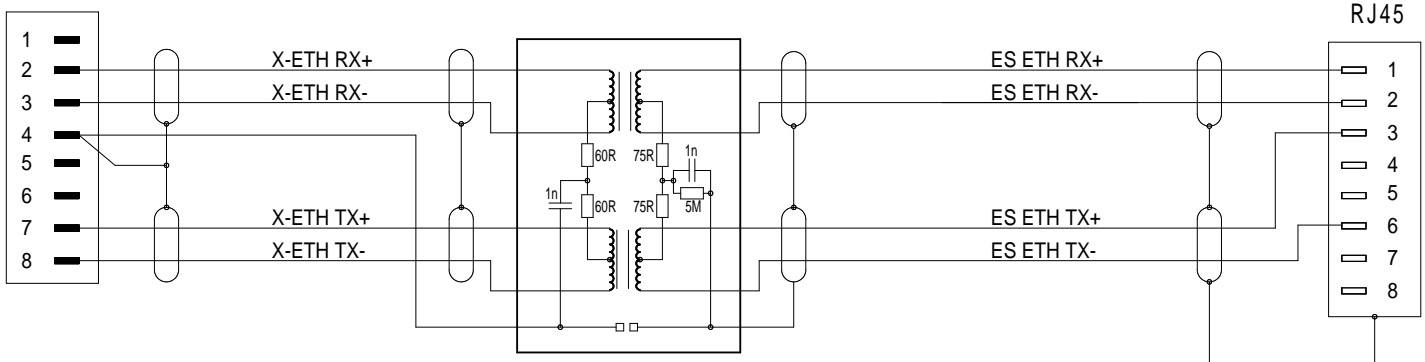
X-Link System Kabel PC RJ45 X-Link System Cable PC RJ45

Bestell-Nr.	☐ 630-522.005 (0,5m)	☐ 630-522.030 (3m)
Order-N ^o	☐ 630-522.010 (1m)	☐ 630-522.050 (5m)
	☐ 630-522.015 (1,5m)	☐ 630-522.

630-522.



LEMO 1B,2+6-pol./P



Contact Type / Kontaktart
P = Pin contacts / Stiftkontakte
S = Socket contacts / Buchsenkontakte