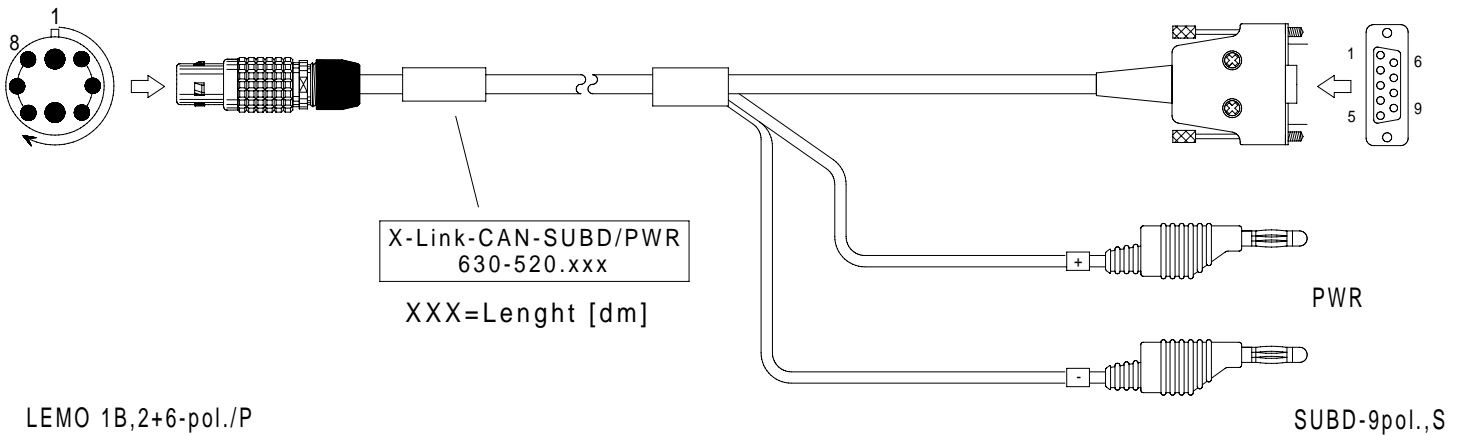


X-Link Kabel CAN SUBD9/S, PWR Büschel X-Link Cable CAN SUBD9/S, PWR Banana

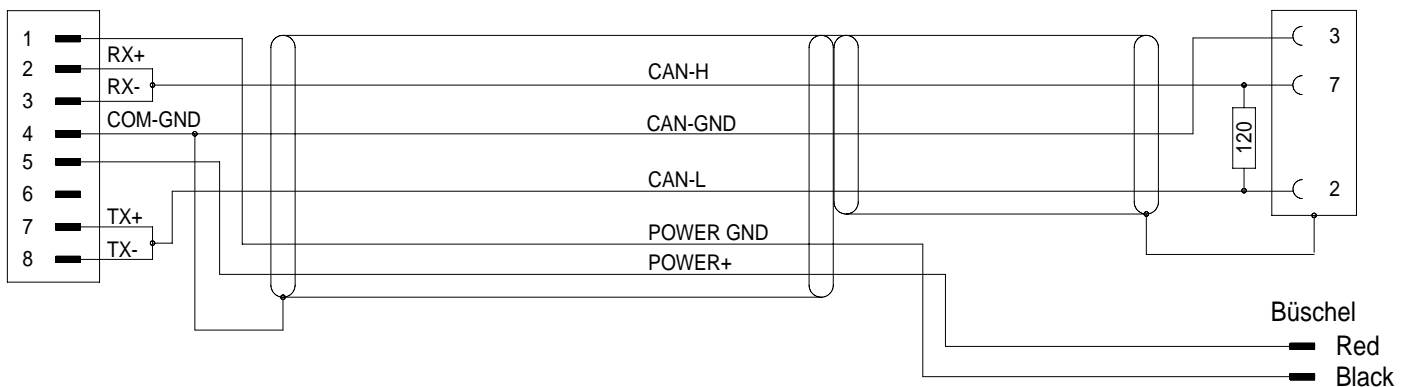
Bestell-Nr. 630-520.005 (0,5m) 630-520.050 (5,0m)
 Order-N^o 630-520.015 (1,5m) 630-520.100 (10,0m)
 630-520.030 (3,0m) 630-520.

630-520



LEMO 1B,2+6-pol./P

SUBD-9pol.,S



Contact Type / Kontaktart
P = Pin contacts / Stiftkontakte
S = Socket contacts / Buchsenkontakte