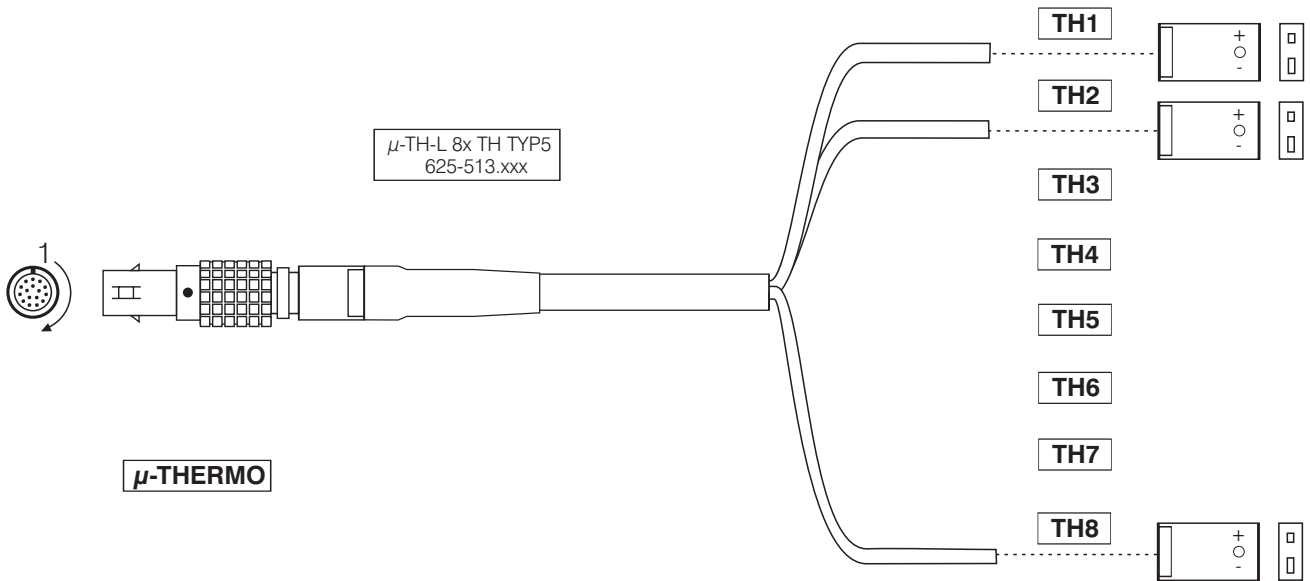


μ-TH-Lemo Kabel 8x SUB-MIN/S Typ5 (gelb) μ-TH-Lemo Cable 8x SUB-MIN/S Typ5 (yellow)



Bestell-Nr. 625-513.005 (0,5 m) 625-513.050 (5,0 m)
Order-Nr. 625-513.015 (1,5 m) 625-513.100 (10,0 m)
 625-513.030 (3,0 m) 625-513.

625-513.



Anschlußbelegung / Connection

Lemo-Stecker, 16-pol. (schwarz)
Lemo male, 16-pol. (black)

8x SUB-MIN-Kupplung, 2-pol. (gelb)
8x SUB-MIN-coupling, 2-pol. (yellow)

Pin-Nr. Pin-Nr.	Bezeichnung Designation	TH1	TH2	TH3	TH4	TH5	TH6	TH7	TH8	Litze-Nr. / Farbe Wire-Nr. / Colour
1	TH-IN1- (Ni)	gn -								
2	TH-IN1+ (NiCr)	ws+								
3	TH-IN2- (Ni)		gn -							
4	TH-IN2+ (NiCr)		ws+							
5	TH-IN3- (Ni)			gn -						
6	TH-IN3+ (NiCr)			ws+						
7	TH-IN4- (Ni)				gn -					
8	TH-IN4+ (NiCr)				ws+					
9	TH-IN5- (Ni)					gn -				
10	TH-IN5+ (NiCr)					ws+				
11	TH-IN6- (Ni)						gn -			
12	TH-IN6+ (NiCr)						ws+			
13	TH-IN7- (Ni)							gn -		
14	TH-IN7+ (NiCr)							ws+		
15	TH-IN8- (Ni)								gn -	
16	TH-IN8+ (NiCr)								ws+	
Chassis										