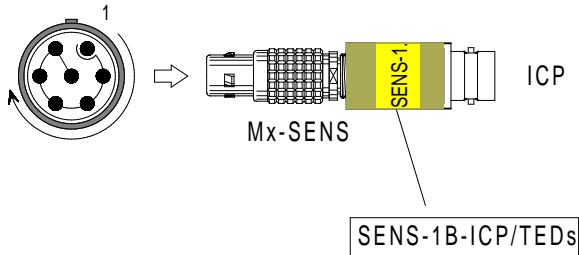


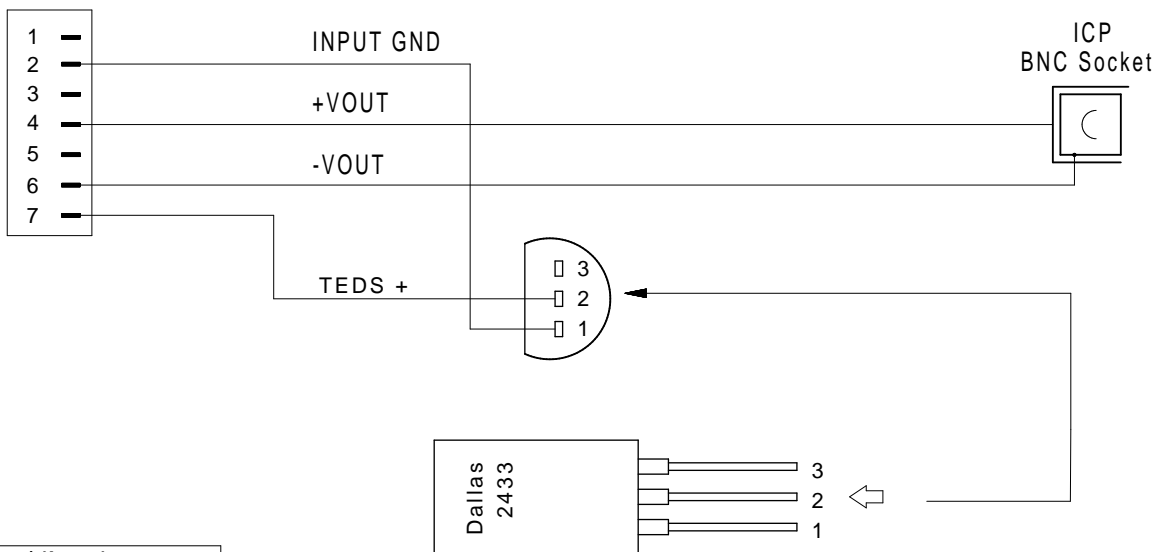
MxSENS 1B 7pol. Adapter BNC/S-ICP/TED's

Bestell-Nr. 620-695.000
 Order-N^o

620-695.



MxSENS
 LEMO 1B,7-pol.



Contact Type / Kontaktart
P = Pin contacts / Stiftkontakte
S = Socket contacts / Buchsenkontakte