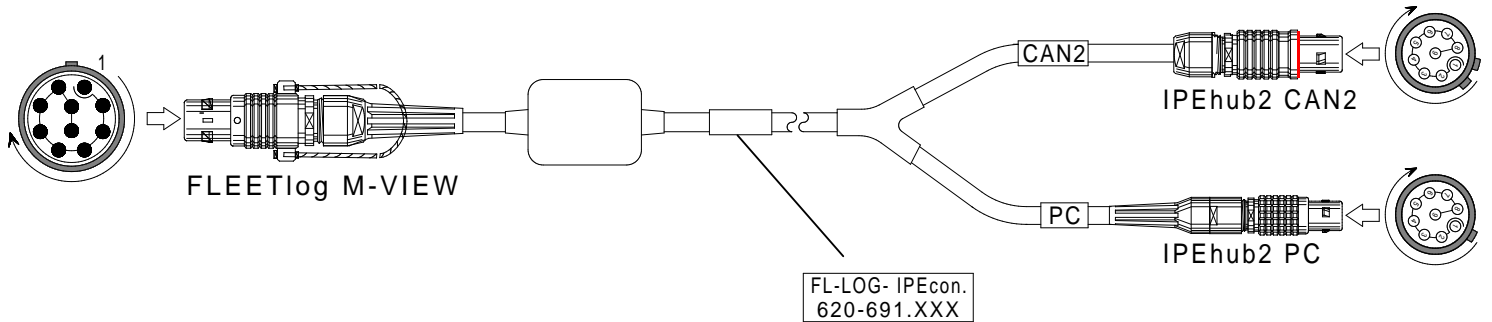


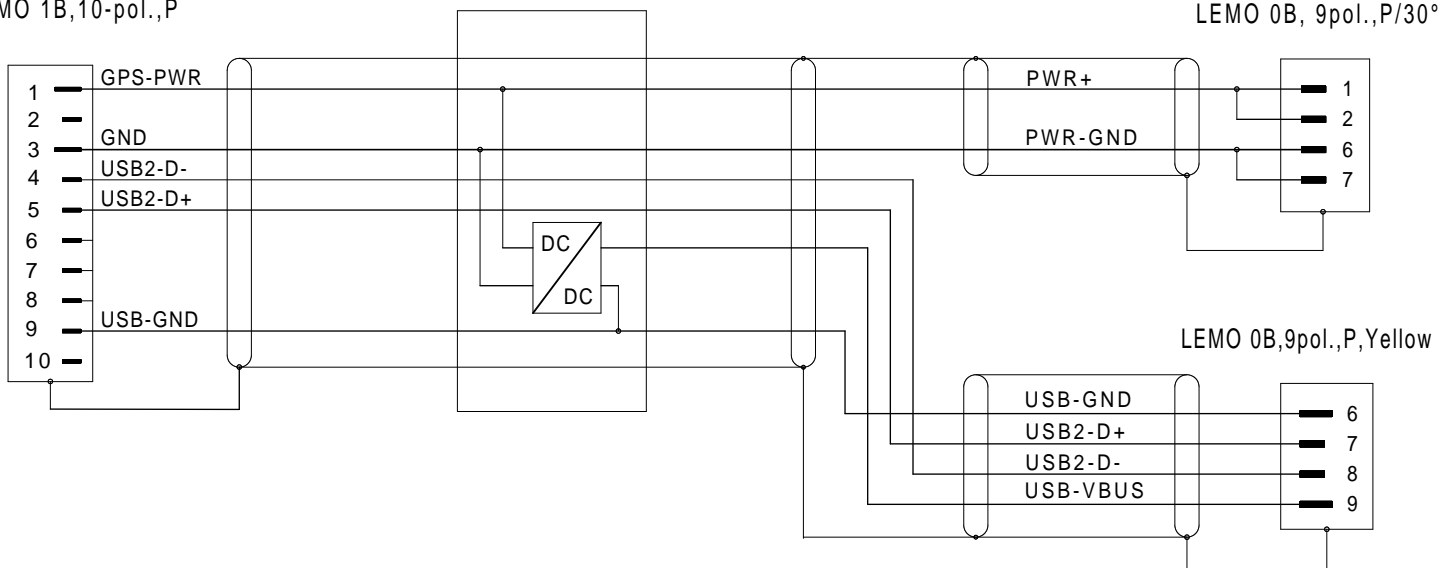
## FLEETlog-VIEW Kabel IPEconnect FLEETlog-VIEW Kabel IPEconnect

Bestell-Nr.  620-691.005 (0,5m)  620-691.050 ( 5,0m)  
 Order-N<sup>o</sup>  620-691.015 (1,5m)  620-691.100 (10,0m)  
 620-691.030 (3,0m)  620-691.

### 620-691.



LEMO 1B,10-pol.,P



**Contact Type / Kontaktart**  
**P** = Pin contacts / Stiftkontakte  
**S** = Socket contacts / Buchsenkontakte