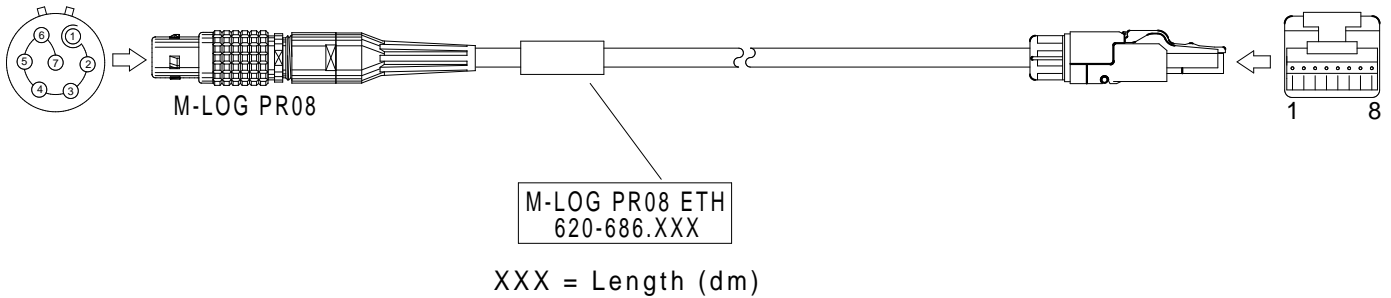


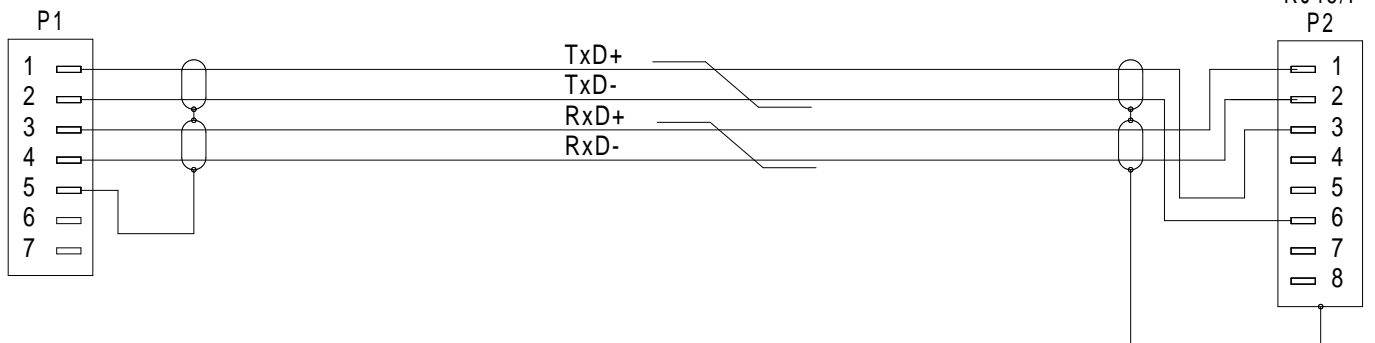
M-LOG-PR08 ETH Kabel RJ45 (crosslink) M-LOG-PR08 ETH Cable RJ45 (crosslink)

Bestell-Nr. 620-686.005 (0,5m) 620-686.050 (5,0m)
Order-N^o 620-686.015 (1,5m) 620-686.100 (10,0m)
 620-686.030 (3,0m) 620-686.

620-686.



LEMO 0B,7-pol., 30°/P,(orange)



Contact Type / Kontaktart
P = Pin contacts / Stiftkontakte
S = Socket contacts / Buchsenkontakte