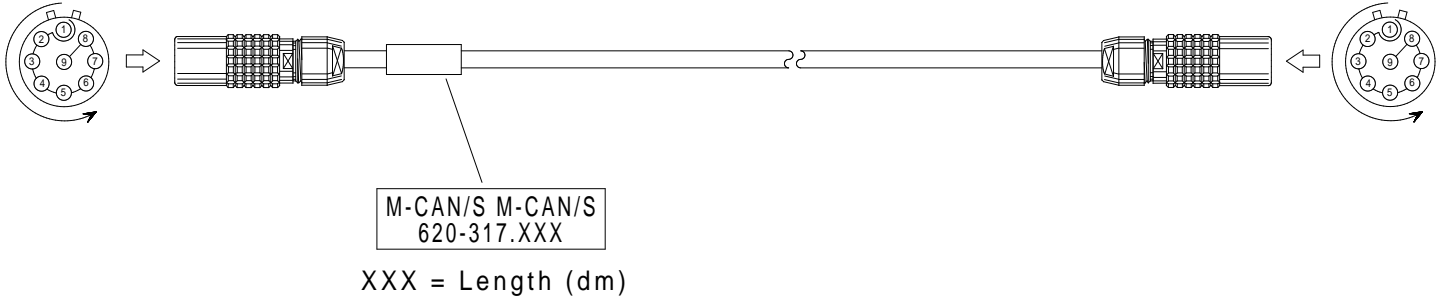


M-CAN/S Kabel M-CAN/S M-CAN/S Cable M-CAN/S

Bestell-Nr. 620-317.005 (0,5m) 620-317.050 (5,0m)
 Order-N^o 620-317.015 (1,5m) 620-317.100 (10,0m)
 620-317.030 (3,0m) 620-317.

620-317.

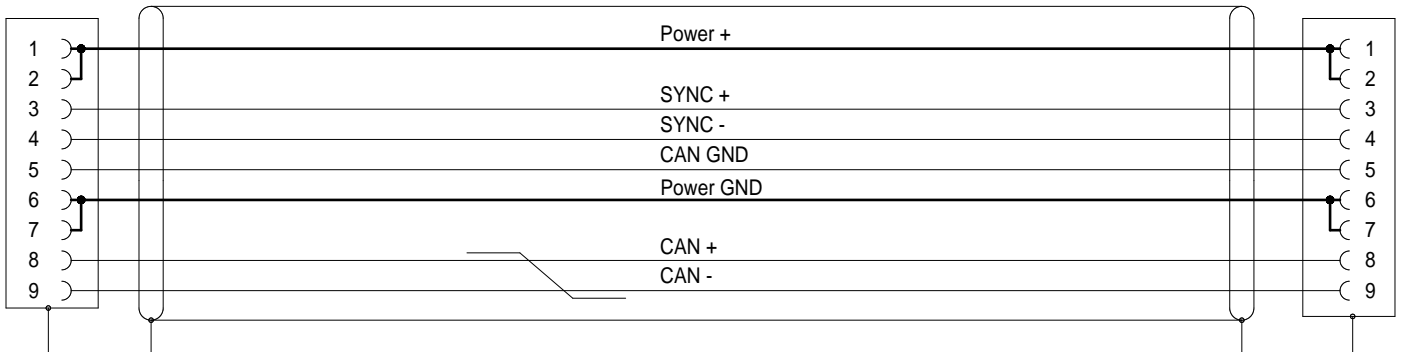


LEMO 0B,9-pol./S

LEMO 0B,9-pol./S

P1

P2



Contact Type / Kontaktart
P = Pin contacts / Stiftkontakte
S = Socket contacts / Buchsenkontakte