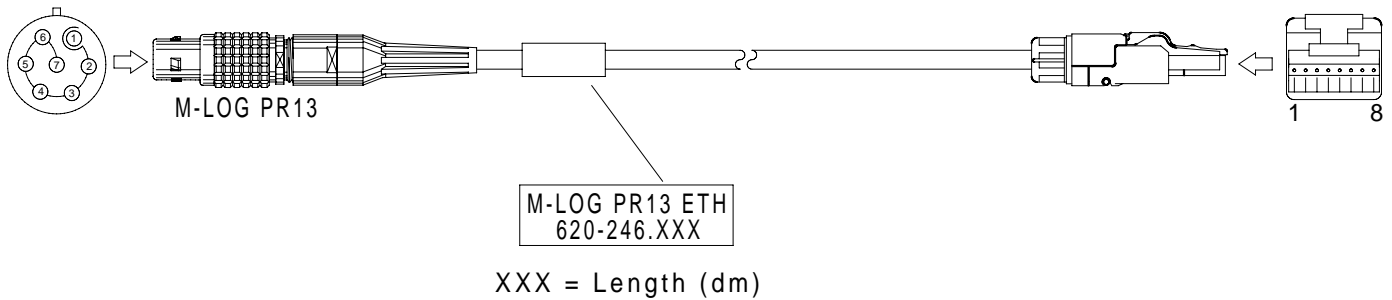


## M-LOG-PR13 ETH Kabel RJ45 (crosslink) M-LOG-PR13 ETH Cable RJ45 (crosslink)

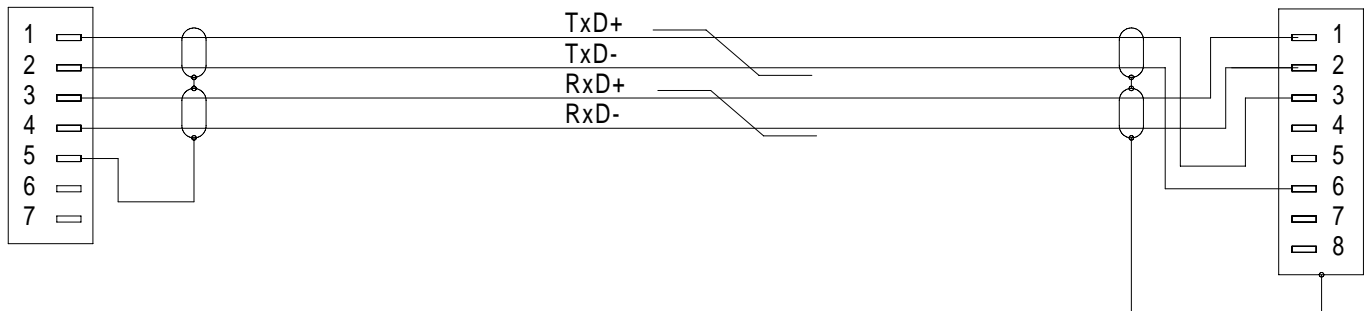
Bestell-Nr.  620-246.005 (0,5m)  620-246.050 ( 5,0m)  
Order-Nº  620-246.015 (1,5m)  620-246.100 (10,0m)  
 620-246.030 (3,0m)  620-246.

### 620-246.



LEMO 1B,7-pol., /P,(yellow)

RJ45/P



**Contact Type / Kontaktart**  
P = Pin contacts / Stiftkontakte  
S = Socket contacts / Buchsenkontakte