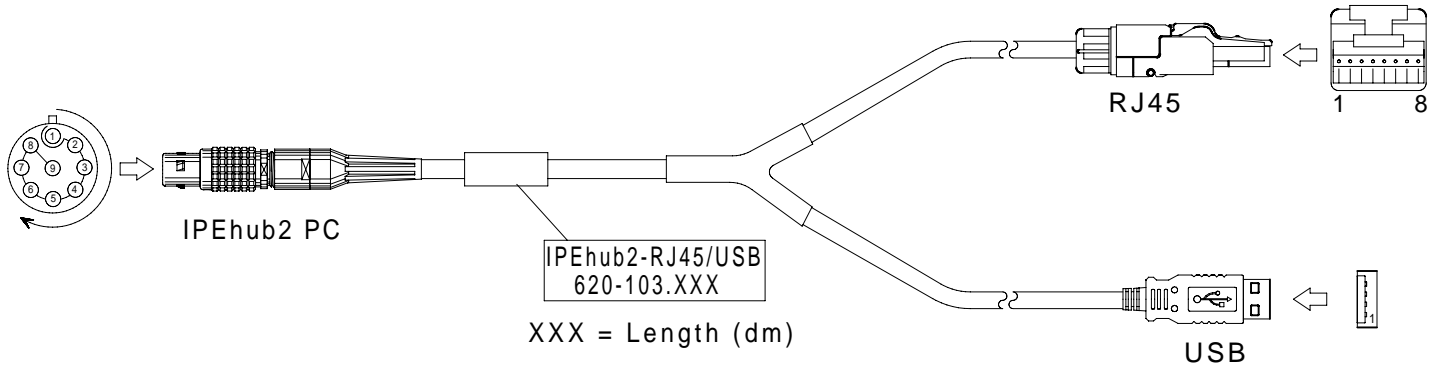


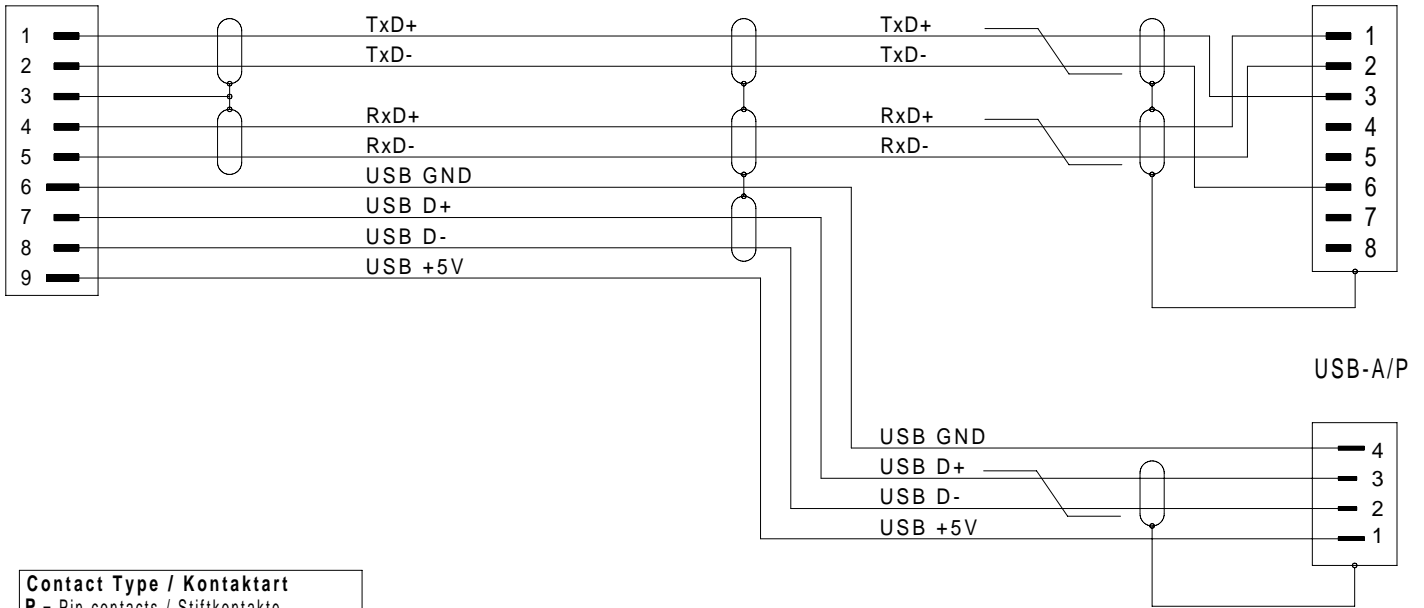
IPEhub2 PC Kabel RJ45, USB-A IPEhub2 PC Cable RJ45, USB-A

Bestell-Nr. 620-103.005 (0,5m) 620-103.
Order-N^o 620-103.015 (1,5m)
 620-103.030 (3,0m)

620-103.



LEMO 0B,9p.,yellow



Contact Type / Kontaktart
P = Pin contacts / Stiftkontakte
S = Socket contacts / Buchsenkontakte