

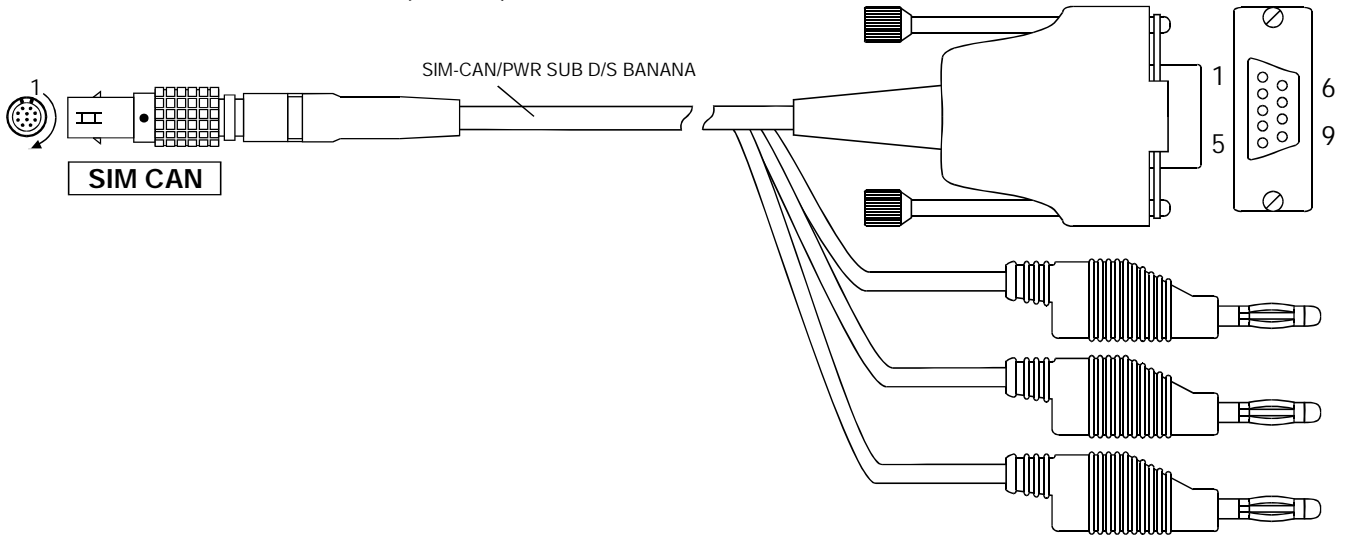
SIM-CAN/PWR Kabel SUB D/S, BÜSCHEL 3

SIM-CAN/PWR Cable SUB D/S, BANANA 3



Bestell-Nr. 600-951.005 (0,5 m) 600-951.050 (5,0 m)
 Order-Nr. 600-951.015 (1,5 m) 600-951.100 (10,0 m)
 600-951.030 (3,0 m) 600-951.

600-951.



Anschlußbelegung / Connection

Pin-Nr. Pin-No	Bezeichnung Designation	Litze-Nr. / Farbe Wire-No / Colour
1	SIM CAN +	7
2	SIM CAN -	2
3	SIM CAN GND	3
4	Status IN	
5	SYNC +	
6	SYNC -	
7	Power +	rot/red
8		
9		
10	Power GND	schwarz/black
Chassis	Shield	Chassis blau/blue