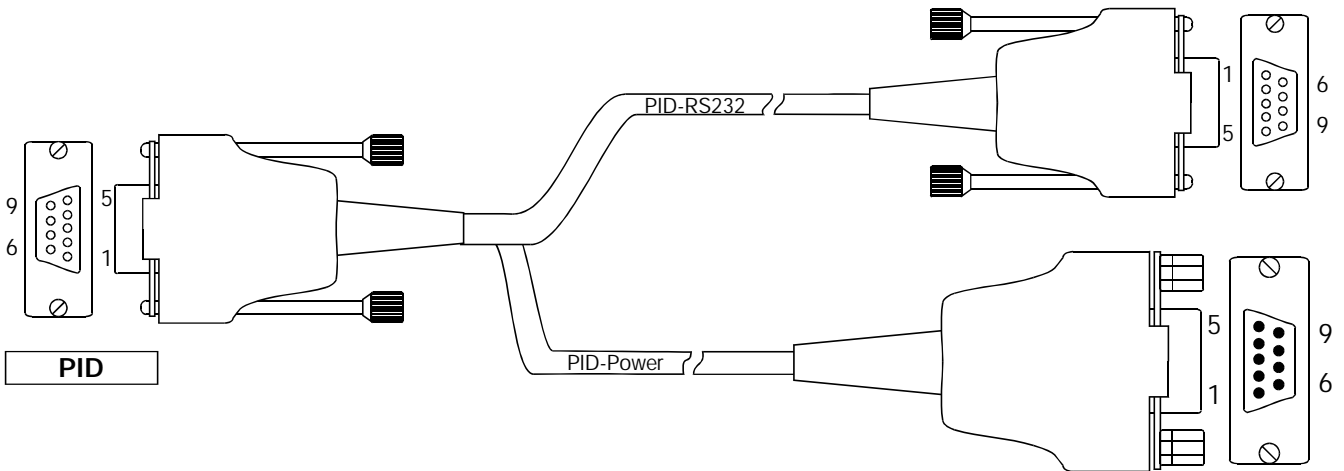


PID Kabel RS232/Power-SUB D PID Cable RS232/Power-SUB D



Bestell-Nr. 600-909.005 (0,5 m) 600-909.050 (5,0 m)
 Order-Nr. 600-909.015 (1,5 m) 600-909.100 (10,0 m)
 600-909.030 (3,0 m) 600-909.

600-909.



Anschlußbelegung / Connection

SUB D-Buchse, 9-pol.
SUB D-female, 9-pol.

SUB D-Stecker, 9-pol.
SUB D-male, 9-pol.

SUB D-Buchse, 9-pol.
SUB D-female, 9-pol.

| Pin-Nr. Pin-No | Bezeichnung Designation | Litze-Nr. / Farbe Wire-No / Colour |
|-------------------|----------------------------|---------------------------------------|
| 1 | Switch ON/OFF | |
| 2 | RxD | 3 |
| 3 | TxD | 2 |
| 4 | + 12 V | 4 |
| 5 | GND | 5 |
| 6 | CAN LOW | |
| 7 | CAN HIGH | |
| 8 | FLASH LD | |
| 9 | DIAG. ON | |
| Chassis | Shield | |