

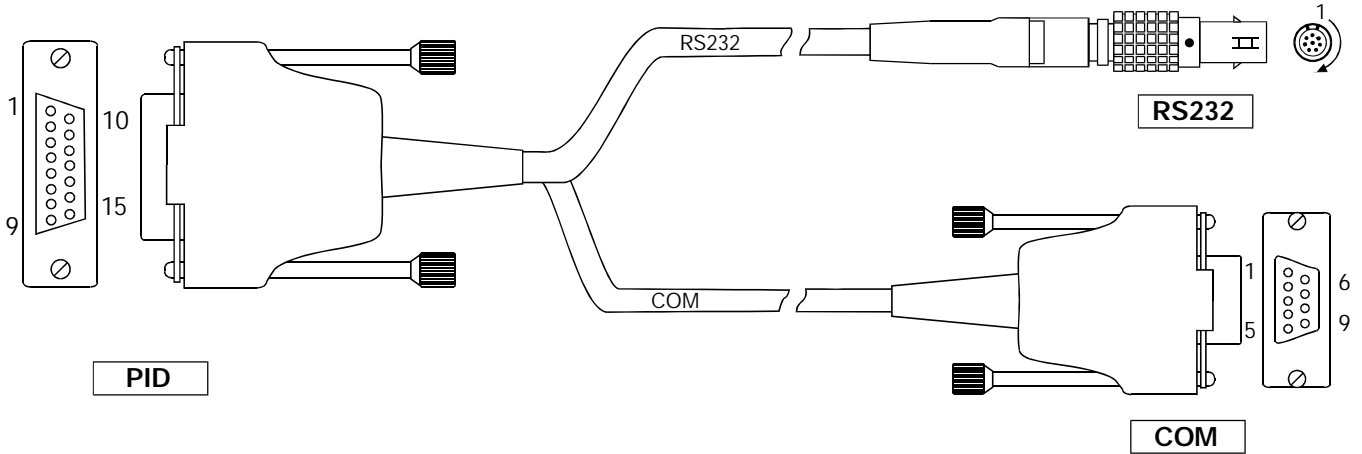
PID Kabel KIM/KAR/DIS

PID Cable KIM/KAR/DIS



Bestell-Nr. 600-606.005 (0,5 m) 600-606.050 (5,0 m)
 Order-Nr. 600-606.015 (1,5 m) 600-606.100 (10,0 m)
 600-606.030 (3,0 m) 600-606.

600-606.



Anschlußbelegung / Connection

SUB D-Buchse, 15-pol.
SUB D-female, 15-pol.

Lemo-Stecker 1B, 8-pol. (blau)
Lemo-male 1B, 8-pol. (blue)

SUB D-Buchse, 9-pol.
SUB D-female, 9-pol.

Pin-Nr. Pin-No	Bezeichnung Designation	Litze-Nr. / Farbe Wire-No / Colour
1	REMOTE IN	
2	PWR +	6
3	PWR GND	7
4	COM TXD	2
5	COM RXD	3
6	COM CTS	7
7	COM RTS	8
8	COM GND	5
9	COM DCD	4
10	COM DSR	4
11	COM DTR	6,1
12	ETH TXD+	
13	ETH TXD-	
14	ETH RXD+	
15	ETH RXD-	
Chassis	Shield	Chassis