

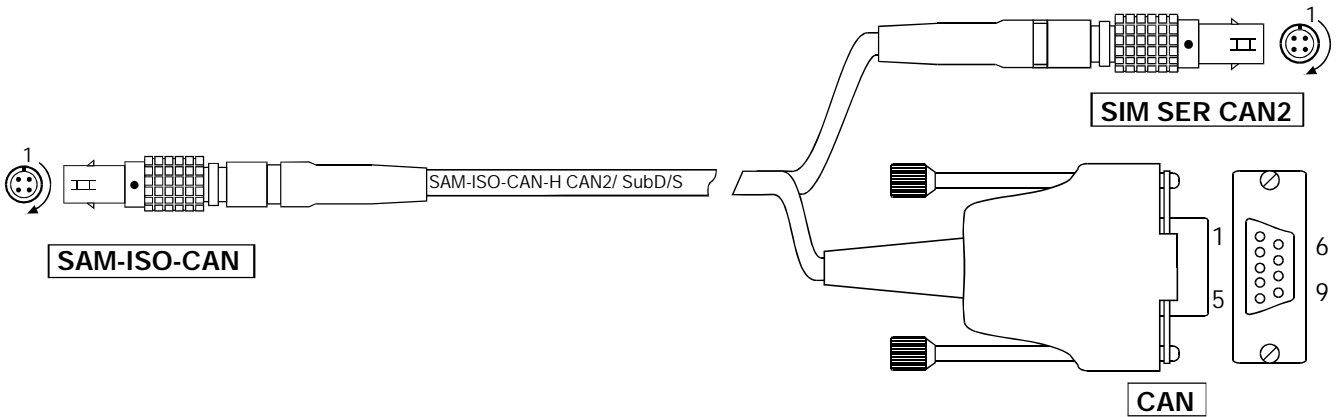
SAM-ISO-CAN-H/P Kabel CAN2 / SubD/S

SAM-ISO-CAN-H/P Cable CAN2 / SubD/S



Bestell-Nr. 600-088.005 (0,5 m) 600-088.050 (5,0 m)
 Order-Nr. 600-088.015 (1,5 m) 600-088.100 (10,0 m)
 600-088.030 (3,0 m) 600-088.

600-088.



Anschlußbelegung / Connection

| | | |
|---|---|--|
| Lemo-Stecker 1B, 4-pol. (schwarz) Lemo-male 1B, 4-pol. (black) | Lemo-Stecker 1B, 4-pol. (schwarz) Lemo-male 1B, 4-pol. (black) | SUB D-Buchse, 9-pol. SUB D-female, 9-pol. |
|---|---|--|

SAM-ISO-CAN

SIM-SER-CAN2

CAN

| Pin-Nr. Pin-NO | Bezeichnung Designation | Litze-Nr. / Farbe Wire-NO / Colour |
|----------------------------|----------------------------|---------------------------------------|
| 1 <input type="checkbox"/> | 120 Ω | 1 |
| 2 <input type="checkbox"/> | CAN + | 7 |
| 3 | CAN - | 2 |
| 4 | CAN 2 GND | 3 |
| Chassis | Shield | S Chassis |